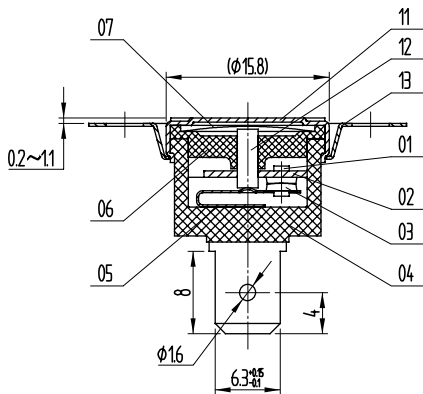
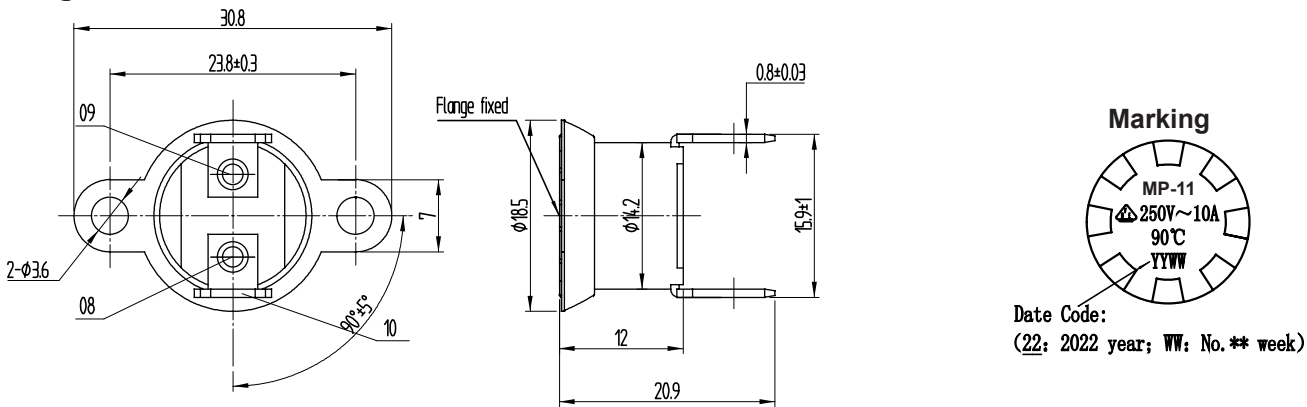


**RoHS
Compliant**

Specifications

Switch Type	: Normal Close (N/C)
Resistance Between Terminals	: Max. 50mΩ at DC5V/0.25A
Insulated Resistance	: Min. 100MΩ with DC500V between Terminals and Cap
Dielectric Strength	: 1500V AC @ 1 min. between terminals and cap without breakdown
Max. Ambient Temperature	: T170
Standards According	: GB14536. 1-2008, GB14536. 10-2008, GB/T22687-2008, EN60730-1, EN60730-2-9

Diagram



No.	Part Name	Material	Qty.
1	Stationary Contact	AgNi/Cu (T2)	1
2	Stationary arm	Brass	
3	Movable Contact	AgNi/Cu (T2)	
4	Case	PF	
5	Movable arm	Alloy Copper	
6	Top Cover	PF	
7	Bimetal Disc	Bimetal	
8	Short Rivet	Copper	2
9	Long Rivet	Copper	
10	Terminal	Brass (Nickel Plated)	1
11	Cap	Aluminium	
12	Actuator Pin	Ceramic	

Tolerance if not specified

Dimension	0 to 9	9.1 to 16	16.1 to 30	>30
Tolerance	±0.2	±0.3	±0.4	±0.5

Dimensions : Millimetres

Part Number Table

Description	Type	Temperature		Part Number
Automatic Reset Thermostat	N/C	Set 70°C ±3°C	Reset 55°C ±5°C	MP-11-70/55/E111B14H221
	N/C	Set 80°C ±3°C	Reset 65°C ±5°C	MP-11-80/65/E111B14H221
	N/C	Set 90°C ±3°C	Reset 75°C ±5°C	MP-11-90/75/E111B14H221
	N/C	Set 100°C ±3°C	Reset 85°C ±5°C	MP-11-100/85/E111B14H221
	N/C	Set 110°C ±4°C	Reset 95°C ±6°C	MP-11-110/95/E111B14H221
	N/C	Set 125°C ±4°C	Reset 110°C ±6°C	MP-11-125/110/E111B14H221
	N/C	Set 140°C ±4°C	Reset 120°C ±6°C	MP-11-140/120/E111B14H221
	N/C	Set 150°C ±4°C	Reset 130°C ±6°C	MP-11-150/130/E111B14H221
	N/C	Set 170°C ±5°C	Reset 140°C ±10°C	MP-33-170/140/E111B14H221
	N/C	Set 200°C ±10°C	Reset 160°C ±15°C	MP-33-200/160/E111B14H221
	N/C	Set 225°C ±10°C	Reset 175°C ±15°C	MP-33-225/175/E111B14H221
	N/C	Set 250°C ±10°C	Reset 200°C ±20°C	MP-33-250/200/E111B14H221

Important Notice : This data sheet and its contents (the "Information") belong to the members of the AVNET group of companies (the "Group") or are licensed to it. No licence is granted for the use of it other than for information purposes in connection with the products to which it relates. No licence of any intellectual property rights is granted. The Information is subject to change without notice and replaces all data sheets previously supplied. The Information supplied is believed to be accurate but the Group assumes no responsibility for its accuracy or completeness, any error in or omission from it or for any use made of it. Users of this data sheet should check for themselves the Information and the suitability of the products for their purpose and not make any assumptions based on information included or omitted. Liability for loss or damage resulting from any reliance on the Information or use of it (including liability resulting from negligence or where the Group was aware of the possibility of such loss or damage arising) is excluded. This will not operate to limit or restrict the Group's liability for death or personal injury resulting from its negligence. Multicomp Pro is the registered trademark of Premier Farnell Limited 2019.